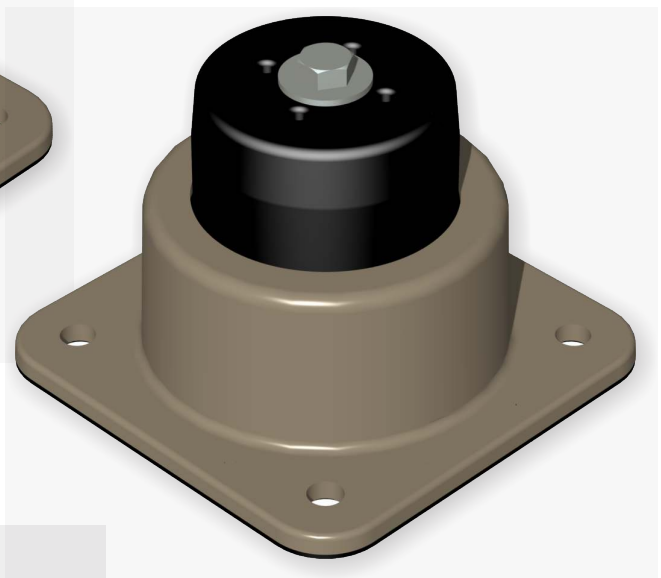
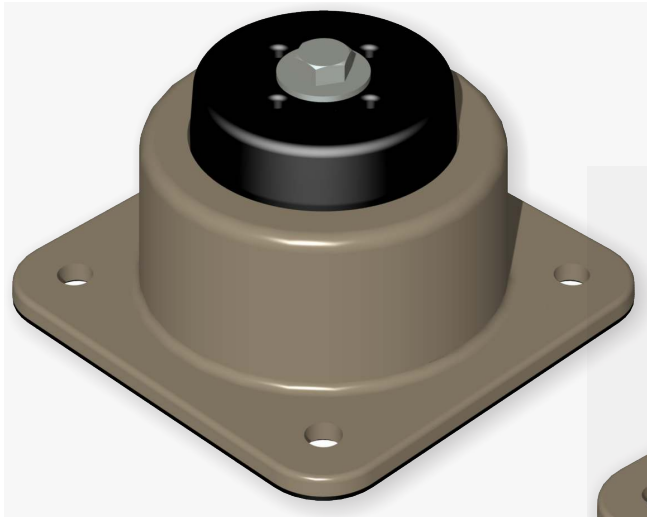




ALL ROUND
HVAC
SUPPLIES



Adjustable Seismic Rubber Mounts



PATENTED DESIGN!

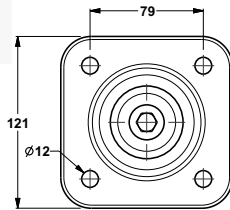
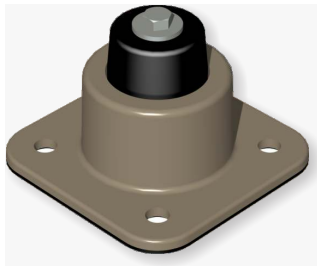


- ★ Designed to suit requirements of AS 1170.4:2007 *Structural design actions Part 4: Earthquake actions in Australia*, NZS 4219:2009 *Seismic performance of engineering systems in buildings* and other international seismic standards
- ★ Tested using AS 60068.3.3:2003 *Environmental testing - Guidance: Seismic test methods for equipments*
- ★ Patented adjustable height design
- ★ Patented fixing method to channel strut for the ASRMU40
- ★ 4 sizes and multiple rubber duro in each size to suit many applications
- ★ Oil resistant neoprene rubber mounts
- ★ Dacromet coated steel fittings



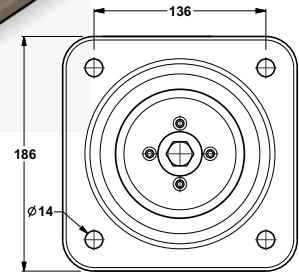
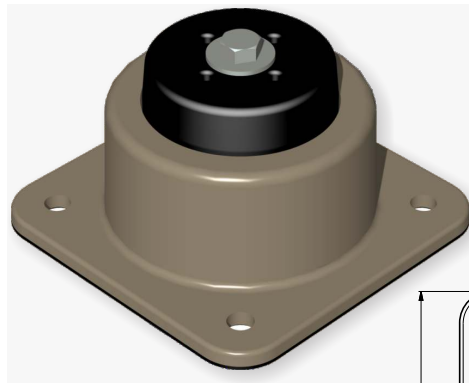
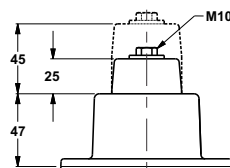
Adjustable Seismic Rubber Mounts

DURO	COLOUR
40A	RED
55A	YELLOW
70A	NONE



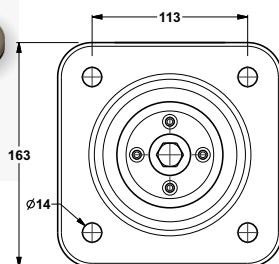
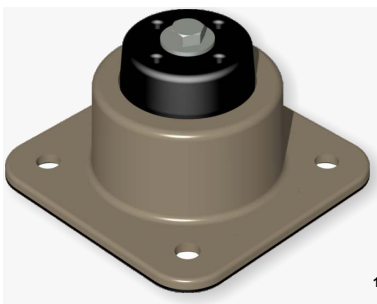
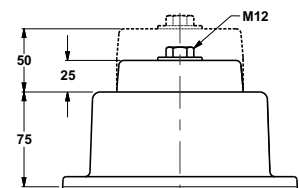
Model: ASRM50

DURO	RATED CAPACITY		
	COMPRESSION N (kg)	TENSION N (kg)	SHEAR N (kg)
40A	1000 (102)	500 (51)	250 (25)
55A	2000 (204)	900 (92)	450 (46)
70A	4000 (408)	1200 (122)	600 (61)



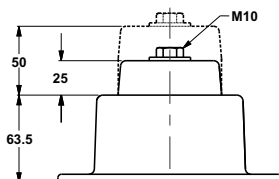
Model: ASRM100

DURO	RATED CAPACITY		
	COMPRESSION N (kg)	TENSION N (kg)	SHEAR N (kg)
40A	4000 (408)	1500 (153)	800 (82)
55A	8000 (816)	2500 (255)	1300 (133)
70A	12000 (1224)	4000 (408)	2100 (214)

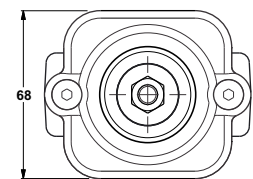


Model: ASRM75

DURO	RATED CAPACITY		
	COMPRESSION N (kg)	TENSION N (kg)	SHEAR N (kg)
40A	2000 (204)	1000 (102)	450 (46)
55A	4000 (408)	1500 (153)	650 (66)
70A	6000 (612)	2000 (204)	1100 (112)



★ Specifically designed for channel strut as used in the Cantilever & Fold-down Super Brackets



Model: ASRMU40

DURO	RATED CAPACITY		
	COMPRESSION N (kg)	TENSION N (kg)	SHEAR N (kg)
40A	700 (71)	130 (13)	110 (11)
55A	1500 (153)	200 (20)	170 (17)
70A	2000 (204)	350 (36)	230 (23)

